



To order : Tel 035927550

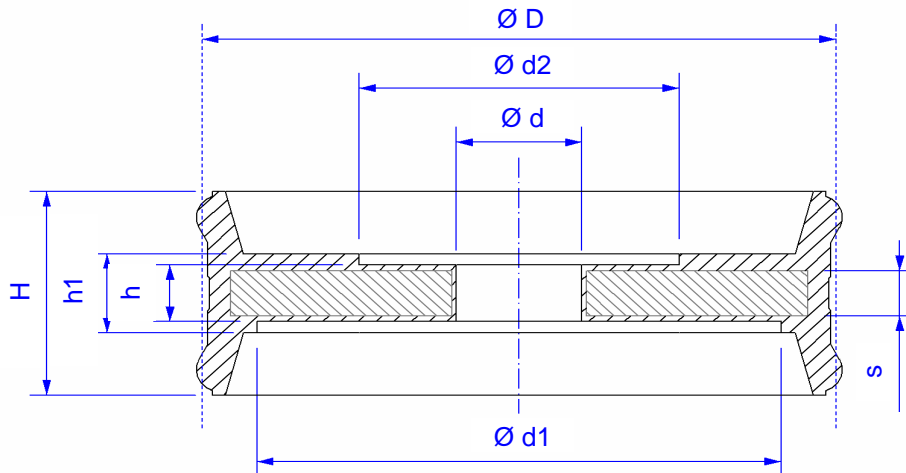
Fax 035927689

E-mail

com@elteguarnizioni.com

ELTE
ELASTOMERI &
TERMOPLASTICI

COMPLETE PISTONS - SET E001.....



| CODE | D | d | H | h | h1 | s | d1 | d2 |
|-------------|-----|----|----|-----|------|----|-----|-----|
| E001N03208 | 32 | 8 | 15 | 4 | 6 | 3 | 26 | 16 |
| E001N04010 | 40 | 10 | 18 | 5,6 | 7,6 | 4 | 34 | 23 |
| E001N04012 | 40 | 12 | 18 | 5,4 | 6,4 | 4 | 34 | 23 |
| E001N05010 | 50 | 10 | 18 | 5 | 7 | 4 | 43 | 25 |
| E001N05016* | 50 | 16 | 18 | 5 | 7 | 4 | 43 | 25 |
| E001N06314* | 63 | 14 | 22 | 5,7 | 8 | 5 | 56 | 40 |
| E001N06316 | 63 | 16 | 22 | 6 | 8 | 5 | 56 | 40 |
| E001N08016 | 80 | 16 | 24 | 6,2 | 8 | 5 | 71 | 55 |
| E001N08018* | 80 | 18 | 24 | 6,2 | 8 | 5 | 71 | 55 |
| E001N08020* | 80 | 20 | 24 | 6,2 | 8 | 5 | 71 | 55 |
| E001N10018* | 100 | 18 | 24 | 7,3 | 10 | 6 | 90 | 72 |
| E001N10020 | 100 | 20 | 26 | 7,3 | 10 | 6 | 90 | 72 |
| E001N12520 | 125 | 20 | 26 | 8 | 11,2 | 6 | 115 | 90 |
| E001N16027 | 160 | 27 | 30 | 10 | 12,5 | 8 | 148 | 110 |
| E001N20027 | 200 | 27 | 35 | 12 | 14 | 10 | 180 | 150 |

DUTY

E001..... set replaces, in pneumatic pistons, the usual aluminium cylinder heads, which are equipped with various seals and antifriction bands.

EXECUTION

Complete pistons are produced with a central steel nucleus working as support and locking.

The sealing function is carried out by the shaped profile of the nitrilic rubber or fluoroelastomer part, whose compound low friction level and a long life of the seal itself.

Piston seals are produced all together during the molding process, therefore the installation is much easier and there is no need to assemble various parts.

SET

E001... set is produced with nitrilic rubber (NBR) and fluoroelastomer (FPM) compounds.

The above-mentioned codes marked with * are special profiles which can be produced upon request.

RANGE OF APPLICATION

NBR COMPOUND

Temperature from - 5°C up to + 80°C **
Pressure max £ 10 bar
Speed ≤ 1 m/s

FPM COMPOUND

Temperature from - 10°C up to + 150
Pressure max ≤ 10 bar
Speed ≤ 1 m/s

** Upon request the same items can be supplied with a special compound withstanding low temperatures: from - 25°C up to +