



To order : Tel 035927550

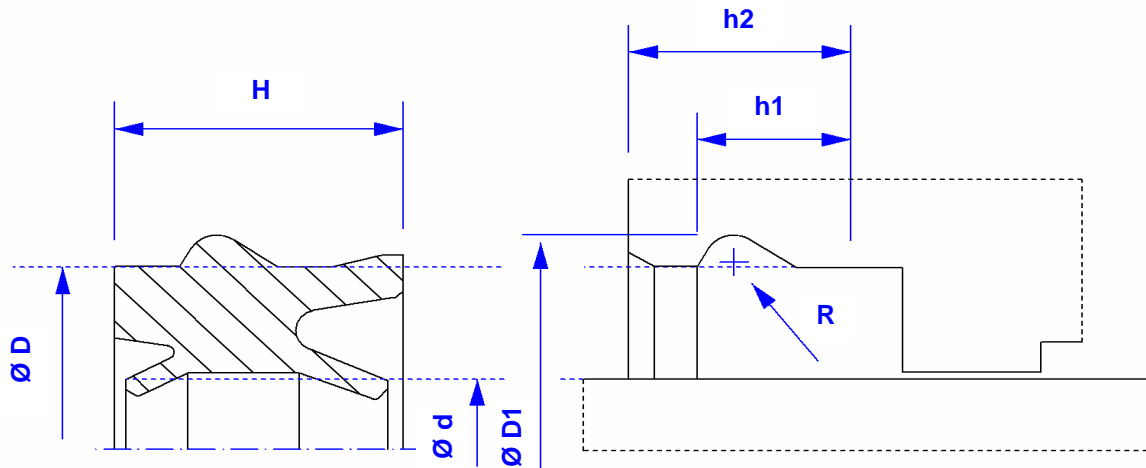
Fax 035927689

E-mail

com@elteguarnizioni.com



**POLYURETHANIC ELASTOMER DOUBLE LIP ROD SEALS / WIPERS - SET E003T.....**



CODE	D	d	H	D1	h1	h2	R
E003T02012	20	12	10,4	22,2	8,8	13	1,1
E003T02616	26	16	10,4	28,2	8,8	13	1,1
E003T03020	30	20	10,4	32,2	8,8	13	1,1
E003T03525	35	25	10,4	37,8	8,8	14	1,4
E003T04232	42	32	10,4	44,8	8,8	14	1,4

**DUTY**

Seals for piston rods, having wiping and dust-cover function.

They keep a thin and correct lubricating film between the rod and the sealing lip; they also work as dust cover, preventing impurity penetration.

The polyurethanic elastomer allows soft starts and movements reducing the Stick-Slip phenomenon and has as main characteristic a high wear and tear resistance which assures a longer life to the seal itself and consequently to the whole equipment on which it is applied.

**SET**

E003T..... set is supplied in a polyurethanic material having low friction level and high toughness, with better performances than the traditional nitrilic compounds.

**RANGE OF APPLICATION**

Temperature      from - 30°C up to + 80°C  
 Pressure max      ≤ 10 bar  
 Speed                ≤ 1 m/s