



To order : Tel 035927550

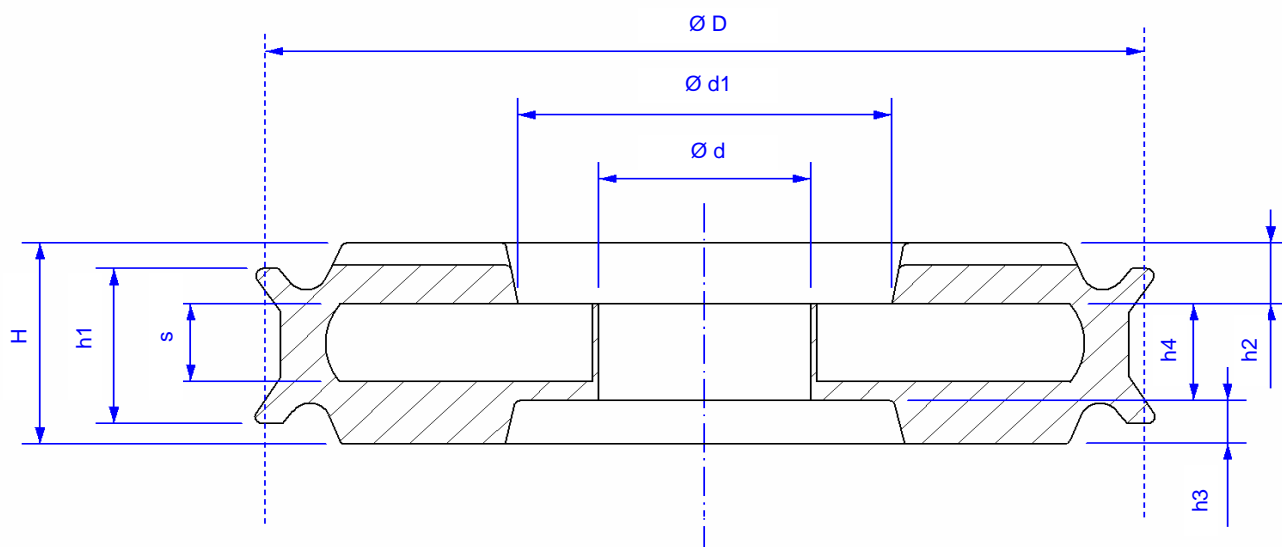
Fax 035927689

E-mail

com@elteguarnizioni.com



MICRO-CYLINDER COMPLETE PISTONS - SET E005.....



CODE	D	d	H	d1	s	h1	h2	h3	h4
E005N01204	12	4,5	6	6,5	2	5,5	2	1,5	2,5
E005N01604	16	4,5	6,5	7	2	5,5	2	2	2,5
E005N02006	20	6	8	9	2,5	6,5	2,7	2,5	3
E005N02507	25	7	8,5	11	3	7,5	2,5	2	3,5
E005N03208	32	8	9	15	4	8	2,5	2	4,5
E005N04010	40	10	10	17	4	8,5	3	2,5	4,5
E005N05010	50	10	10	25,5	4	8,5	3	2,5	4,5
E005N06316*	63	16	11	35,5	5	9	3	2,5	5,5
E005N08016*	80	16	12	38	5	9,5	3	2,5	5,5
E005N10020*	100	20	14	45	6	10	4	3	7

DUTY

Complete pistons for micro-cylinders having reduced sizes.

They have a compact manufacture in order to make the assembly easier and to keep high performances even after a long intense use.

EXECUTION

E005..... set is produced with a central steel nucleus working as support and locking while the sealing function is carried by the NBR or FPM part.

SET

E005..... set is usually produced with nitrilic rubber compound (NBR). Upon request the set can be supplied with fluoroelastomer compound (FPM).

The above-mentioned codes marked with * are special profiles which can be produced upon request.

RANGE OF APPLICATION

NBR COMPOUND

Temperature from - 5°C up to + 80°C **
 Pressure max ≤ 10 bar
 Speed ≤ 1 m/s

FPM COMPOUND

Temperature from - 10°C up to + 150°C
 Pressure max ≤ 10 bar
 Speed ≤ 1 m/s

** Upon request the same items can be supplied with a special compound withstanding low temperatures:

from - 25°C up to + 80°C