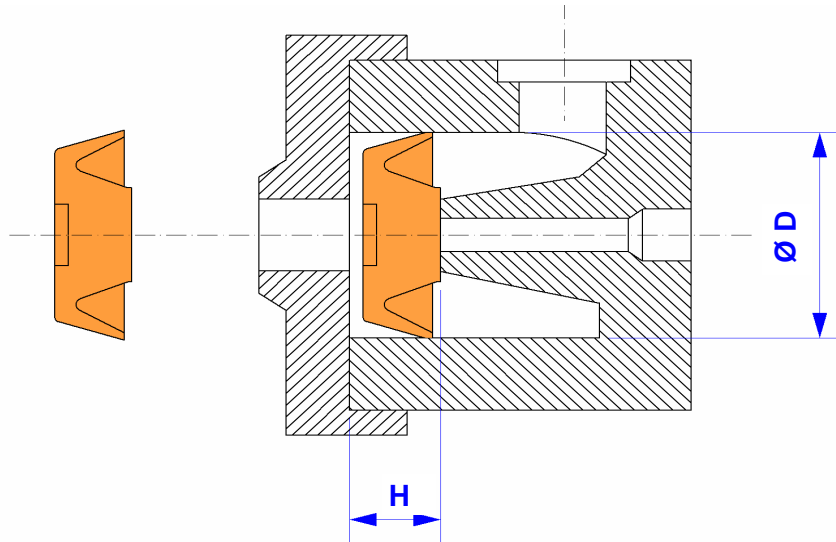




To order : Tel 035927550  
Fax 035927689  
E-mail  
com@elteguarnizioni.com

**ELTE**<sup>®</sup>  
ELASTOMERI &  
TERMOPLASTICI

### SWIFT DISCHARGE VALVE MEMBRANES - SET E008T.....



CODE	D	H
E008T001/8	20,2 <sup>-0,2</sup>	5,7 <sup>+0,4</sup>
E008T001/4	25,6 <sup>-0,2</sup>	6,5 <sup>+0,4</sup>
E008T001/2	35,1 <sup>-0,2</sup>	8,5 <sup>+0,4</sup>

#### DUTY

Swift discharge valve membranes for pneumatic cylinders.

#### SET

E008T..... set is produced with a special polyurethanic elastomer having good mechanical features, particularly a high wear and tear resistance.

Membranes made with particular materials and according to customer's drawings can be supplied upon request.

#### RANGE OF APPLICATION

Temperature      from - 20°C up to + 80°C  
Pressure max      ≤ 12 bar  
Pressure min      ≥ 2 bar