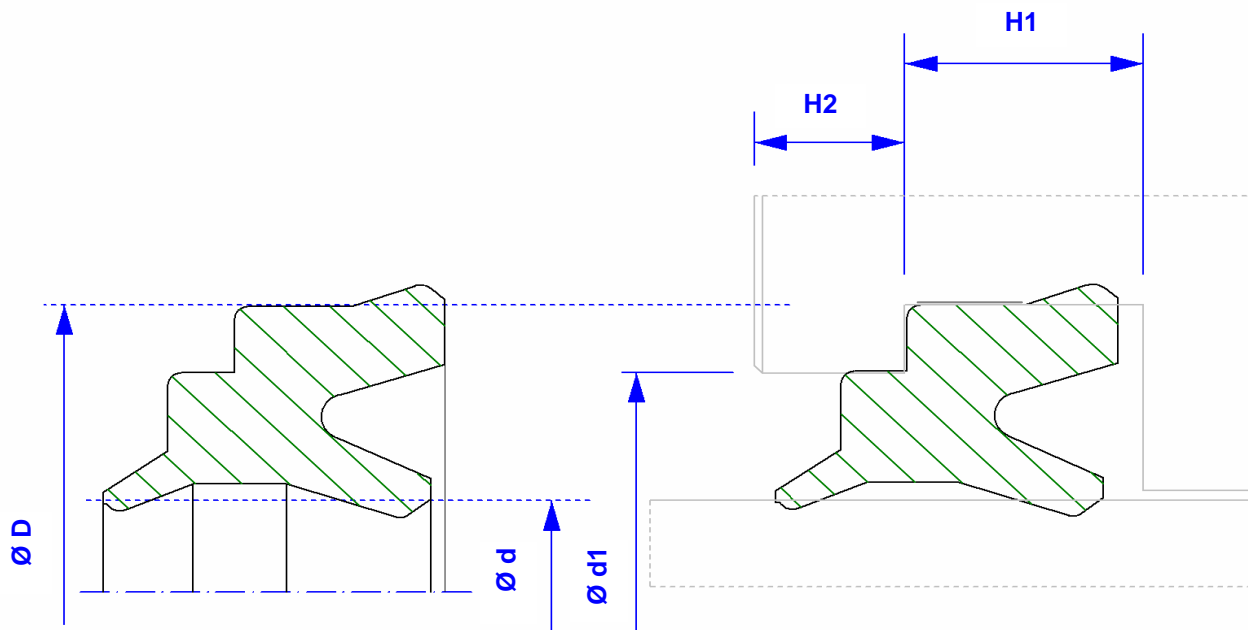




To order : Tel 035927550  
 Fax 035927689  
 E-mail  
 com@elteguarnizioni.com



**POLYURETHANIC ELASTOMER ROD SEALS / WIPERS - SET E07T.....**



CODE	D	d	d1	H1	H2
E07T008004	8,2	4	6,7	3	1,8
E07T011006	11,2	6	9,1	3,6	2
E07T014008	14,2	8	12,1	3,6	2,1
E07T016010	16,2	10	14,1	4,2	2,6

**DUTY**

Seals for piston rods, having wiping and dust-cover function.

They keep a thin and correct lubricating film between the rod and the sealing lip; they also work as dust cover, preventing impurity penetration.

The polyurethane elastomer allows soft starts and movements reducing the Stick-Slip phenomenon and assures a longer life to the seal itself and consequently to the whole equipment on which it is applied.

**SET**

E07T..... set is supplied in a polyurethane material having low friction level and high toughness, with better performances than the traditional nitrilic compounds.

**RANGE OF APPLICATION**

Temperature from - 30°C up to + 80°C  
 Pressure max ≤ 12 bar  
 Speed ≤ 1 m/s