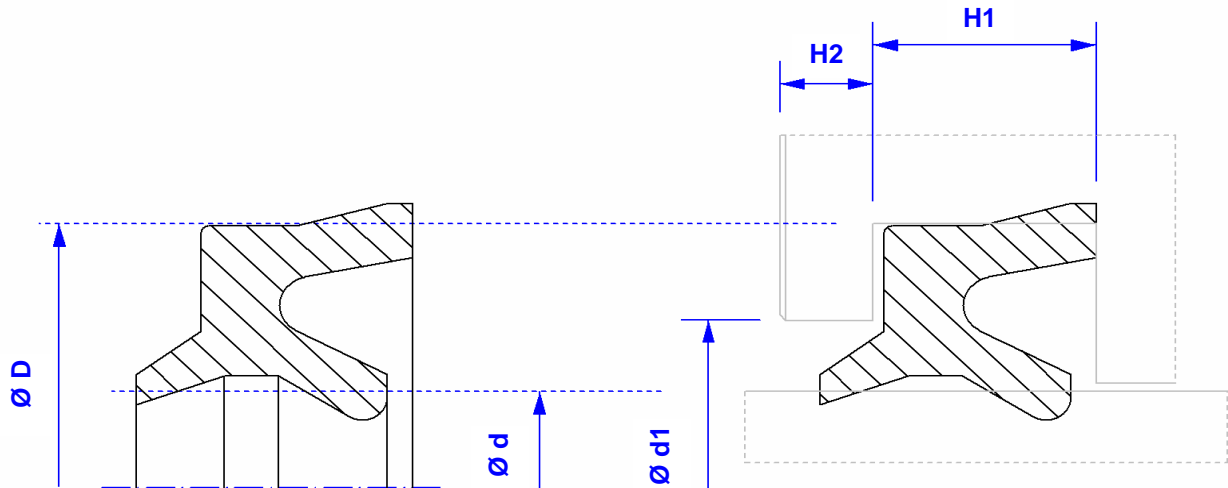




To order : Tel 035927550
 Fax 035927689
 E-mail
 com@elteguarnizioni.com

ROD SEALS / WIPERS - SET E0R.....



CODE	D	d	d1	H1	H2
E0RN009006	9	6	7,4	2,7	1,2
E0RN011008	11,5	8	9,4	3	1,2
E0RN014010	14	10	11,6	3,2	1,2
E0RN016012	16,5	12	14,3	3,6	1,4
E0RN020016	20,5	16	18	3,6	1,4
E0RN025020	25	20	22,2	4	1,4
E0RN030025	30	25	27,2	4	1,4

DUTY

Seals for piston rods, having wiping and dust-cover function.

They keep a thin and correct lubricating film between the rod and the sealing lip; they also work as dust cover, preventing impurity penetration.

SET

E0R..... set is produced with nitrilic rubber (NBR) or fluoroelastomer (FPM) low friction compound to operate even with a little lubrication.

RANGE OF APPLICATION

NBR COMPOUND

Temperature from - 5°C up to + 80°C **
 Pressure max ≤ 10 bar
 Speed ≤ 1 m/s

FPM COMPOUND

Temperature from - 10°C up to + 150°C
 Pressure max ≤ 10 bar
 Speed ≤ 1 m/s

** Upon request the same items can be supplied with a special compound withstanding low temperatures:

from - 25°C up to + 80°C